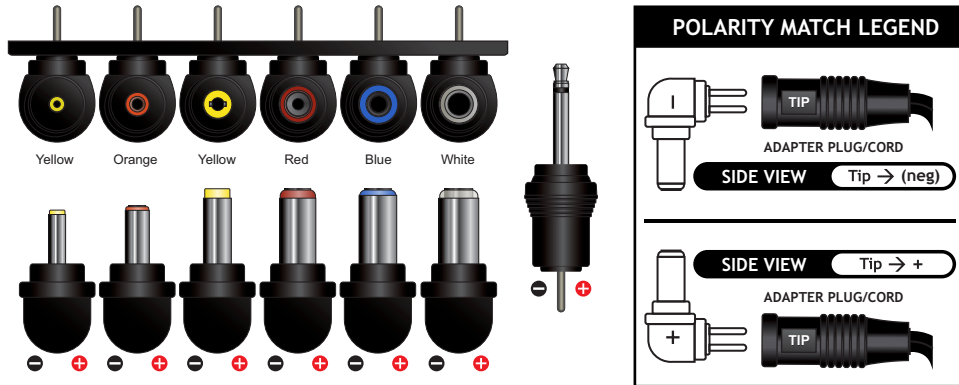


ADAP-LLAS1000 TIP IDENTIFICATION



TIP CHOICE & VOLTAGE SELECTION BY PRODUCT

Item Number	ADAP Tip Choice	Polarity Match	ADAP Voltage	Item Number	ADAP Tip Choice	Polarity Match	ADAP Voltage
AC-100	Blue	Tip → +	4.5	MC-RGB4	Steel	Tip → +	4.5
CL-V4x	Orange	Tip → +	4.5	MP-3	Blue	Tip → +	6
CTL-160RGBW	Blue	Tip → +	6	NB-80x	Blue	Tip → +	12
FFL-all	Blue	Tip → +	4.5	PL-300	White	Tip → +	4.5
FLM-x00	Orange	Tip → +	6	PL-450	White	Tip → +	4.5
GC-4	Blue	Tip → +	12	PL-500	White	Tip → +	4.5
IB-RGBW-6	Orange	Tip → +	4.5	R-ORB-12	Blue	Tip → +	6
IB-RGBW-9	Orange	Tip → +	4.5	R-ORB-16	Blue	Tip → +	6
LB-513W	Orange	Tip → +	12	R-ORB-20	Blue	Tip → +	6
LB-5W	Orange	Tip → +	6	R-ORB-24	Blue	Tip → +	6
LB-66	Blue	Tip → +	4.5	ST-15R	Orange	Tip → +	4.5
LB-80	Blue	Tip → +	6	TB-8	Blue	Tip → +	6
LB-RGBW	Orange	Tip → +	4.5	TSL-80	Blue	Tip → +	6
LB-RGBW-10	Orange	Tip → +	6	WB-xx	Blue	Tip → +	4.5
LB-RGBW-6	Orange	Tip → +	4.5	WB-xx0	Blue	Tip → +	4.5
LB-STAR-10	Orange	Tip → +	12	WS-xx0x	Blue	Tip → +	12
LB-W-10	Orange	Tip → +	12	WS-xxx	Blue	Tip → +	12
MBK-8	Battery Use Only		1.5	WT-xx	Blue	Tip → +	12

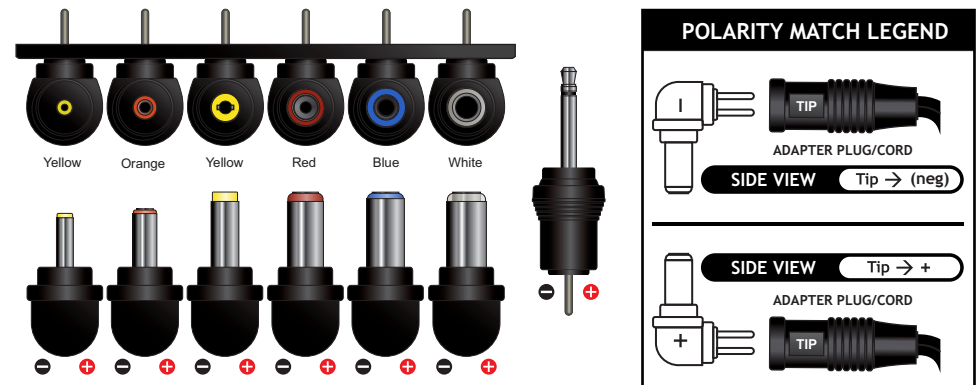
Usage Instructions for Adapter LLAS-1000

- 1) Determine the correct voltage setting for your product. Do not select a voltage that is higher than the product was designed for. Damage will result from overpowering.
- 2) Select the determined voltage on the adapter by sliding the switch.
- 3) From the tips provided, select the tip that best fits your product.
- 4) Connect the selected tip to the adapter cord, **CAREFULLY** following polarity match above.
- 5) Connect the adapter cord to your product.
- 6) Read the message titled IMPORTANT. Don't skip this step.
- 7) Plug the adapter into your 120V power source and turn on your product.

IMPORTANT!!! When you plug the adapter into your 120V power source and turn on your product, the product should come on immediately. If the product does not come on immediately, unplug the adapter and double check steps 2 and 4 for accuracy. If you do not remove the power source immediately, you can damage or destroy your product.

Z:\Design Dept Files\Instructions\ADAPLLAS1000 Instructions

ADAP-LLAS1000 TIP IDENTIFICATION



TIP CHOICE & VOLTAGE SELECTION BY PRODUCT

Item Number	ADAP Tip Choice	Polarity Match	ADAP Voltage	Item Number	ADAP Tip Choice	Polarity Match	ADAP Voltage
AC-100	Blue	Tip → +	4.5	MC-RGB4	Steel	Tip → +	4.5
CL-V4x	Orange	Tip → +	4.5	MP-3	Blue	Tip → +	6
CTL-160RGBW	Blue	Tip → +	6	NB-80x	Blue	Tip → +	12
FFL-all	Blue	Tip → +	4.5	PL-300	White	Tip → +	4.5
FLM-x00	Orange	Tip → +	6	PL-450	White	Tip → +	4.5
GC-4	Blue	Tip → +	12	PL-500	White	Tip → +	4.5
IB-RGBW-6	Orange	Tip → +	4.5	R-ORB-12	Blue	Tip → +	6
IB-RGBW-9	Orange	Tip → +	4.5	R-ORB-16	Blue	Tip → +	6
LB-513W	Orange	Tip → +	12	R-ORB-20	Blue	Tip → +	6
LB-5W	Orange	Tip → +	6	R-ORB-24	Blue	Tip → +	6
LB-66	Blue	Tip → +	4.5	ST-15R	Orange	Tip → +	4.5
LB-80	Blue	Tip → +	6	TB-8	Blue	Tip → +	6
LB-RGBW	Orange	Tip → +	4.5	TSL-80	Blue	Tip → +	6
LB-RGBW-10	Orange	Tip → +	6	WB-xx	Blue	Tip → +	4.5
LB-RGBW-6	Orange	Tip → +	4.5	WB-xx0	Blue	Tip → +	4.5
LB-STAR-10	Orange	Tip → +	12	WS-xx0x	Blue	Tip → +	12
LB-W-10	Orange	Tip → +	12	WS-xxx	Blue	Tip → +	12
MBK-8	Battery Use Only		1.5	WT-xx	Blue	Tip → +	12

Usage Instructions for Adapter LLAS-1000

- 1) Determine the correct voltage setting for your product. Do not select a voltage that is higher than the product was designed for. Damage will result from overpowering.
- 2) Select the determined voltage on the adapter by sliding the switch.
- 3) From the tips provided, select the tip that best fits your product.
- 4) Connect the selected tip to the adapter cord, **CAREFULLY** following polarity match above.
- 5) Connect the adapter cord to your product.
- 6) Read the message titled IMPORTANT. Don't skip this step.
- 7) Plug the adapter into your 120V power source and turn on your product.

IMPORTANT!!! When you plug the adapter into your 120V power source and turn on your product, the product should come on immediately. If the product does not come on immediately, unplug the adapter and double check steps 2 and 4 for accuracy. If you do not remove the power source immediately, you can damage or destroy your product.

Z:\Design Dept Files\Instructions\ADAPLLAS1000 Instructions